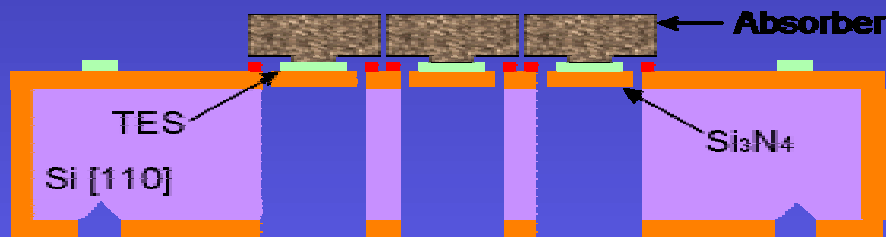


Development of an array of transition edge sensors for application in X-ray astronomy

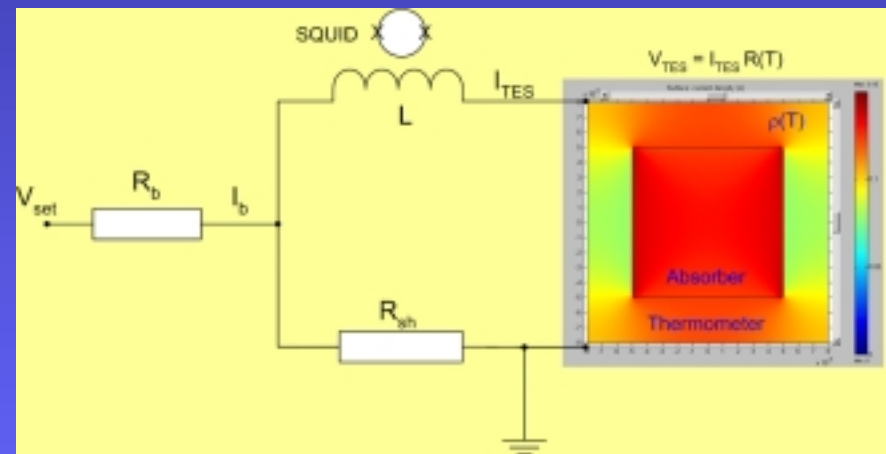
M.P. Bruijn et al.



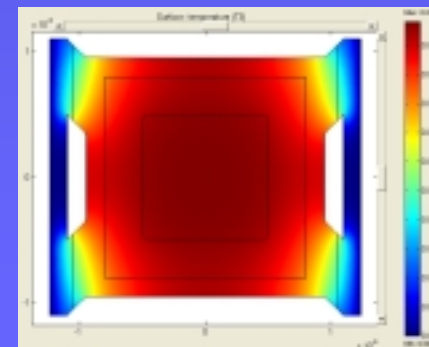
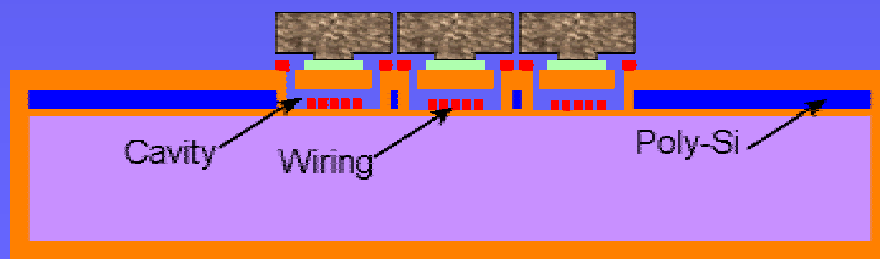
1) Bulk wet etched Si-support:



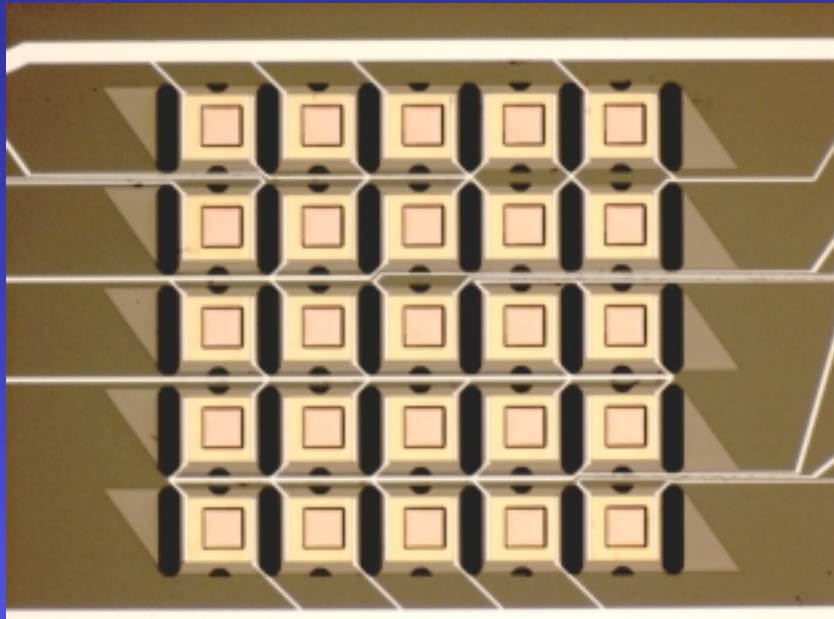
Finite Element Modeling:



2) Surface micro-machining:



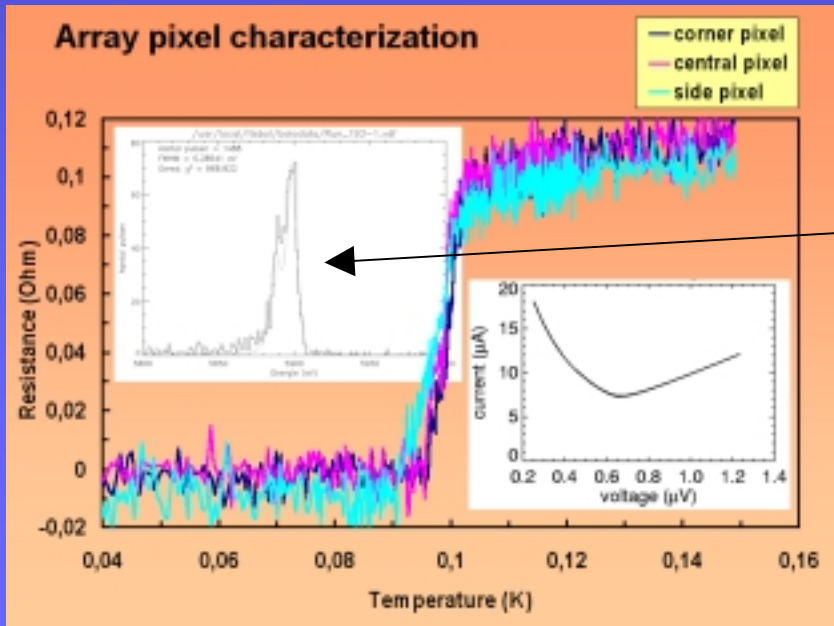
Prototype 5 x 5 array:



Surface micromachining:



Cu/Bi Absorber



DE = 6 eV

