

Large Area Bismuth Absorbers for X-ray Microcalorimeters - C03

John Vaillancourt, U. Wisconsin - Madison



A. Dosaj
D. Liu
D. McCammon
L. E. Rocks
W. T. Sanders



C. A. Allen
R. Brekosky
R. Kelley
F. S. Porter
C. K. Stahle



M. Galeazzi

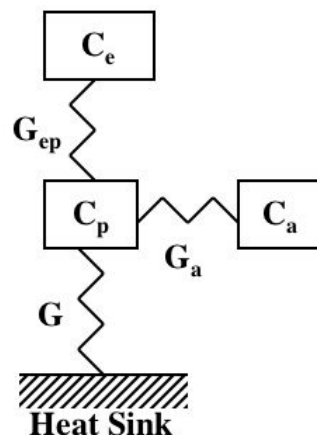
Vaillancourt et al., poster C03



Large Area Bismuth Absorbers for X-ray Microcalorimeters - C03



- Thin Bi layer on Si substrate, from 1×1 mm to 2×2 mm
- Determining Bi heat capacity
 - Complex impedance measurements: $0.3 - 0.6 \text{ J K}^{-1} \text{ m}^{-3}$
 - Collan et al. (1970): $0.09 \text{ J K}^{-1} \text{ m}^{-3}$ at 100 mK
 - Neither measurement consistent with X-ray pulse data



- Position dependence of detector
 - Response varies by $\sim 4\%$ across area of 2×2 mm absorber

Vaillancourt et al., poster C03

